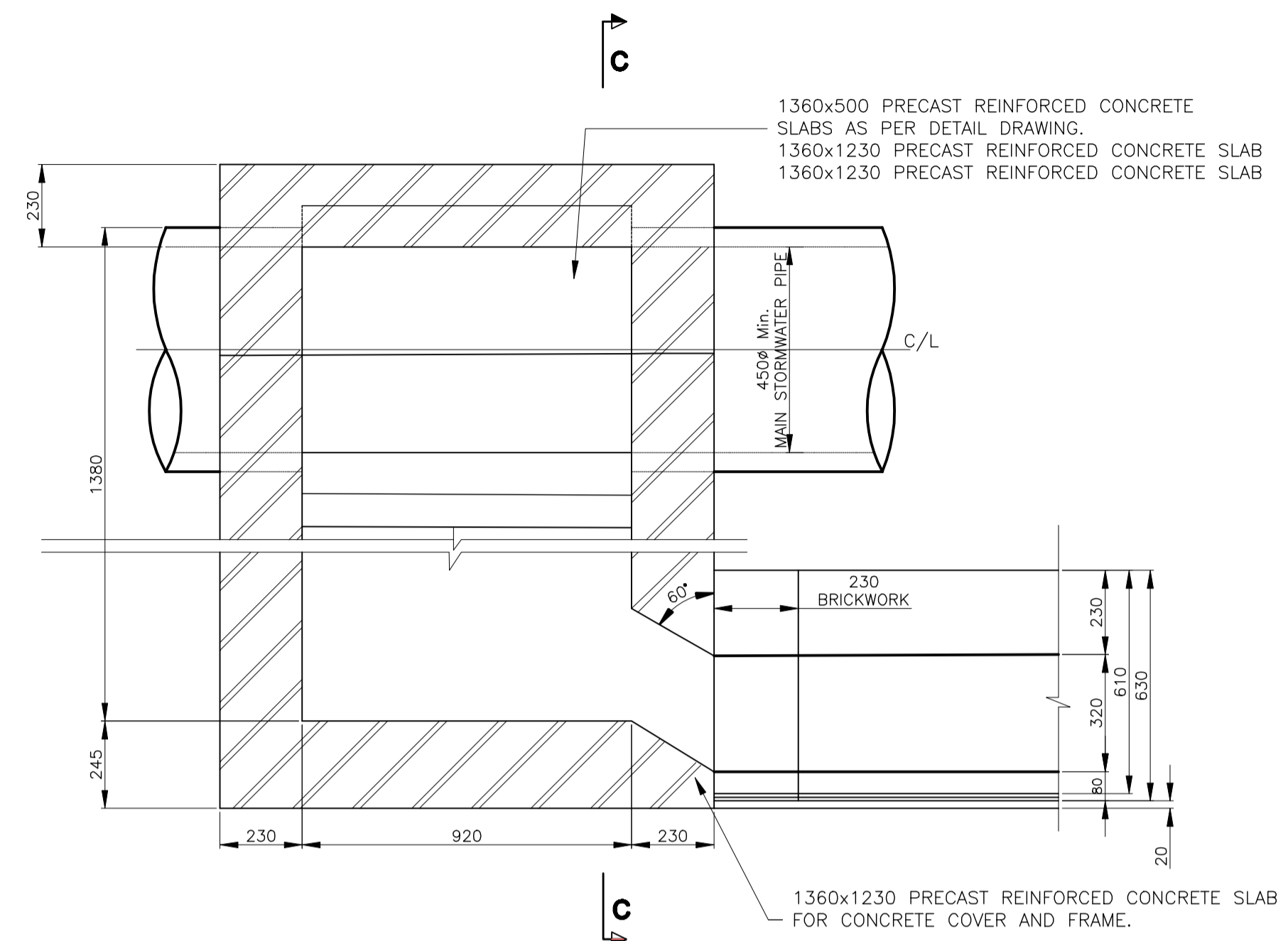
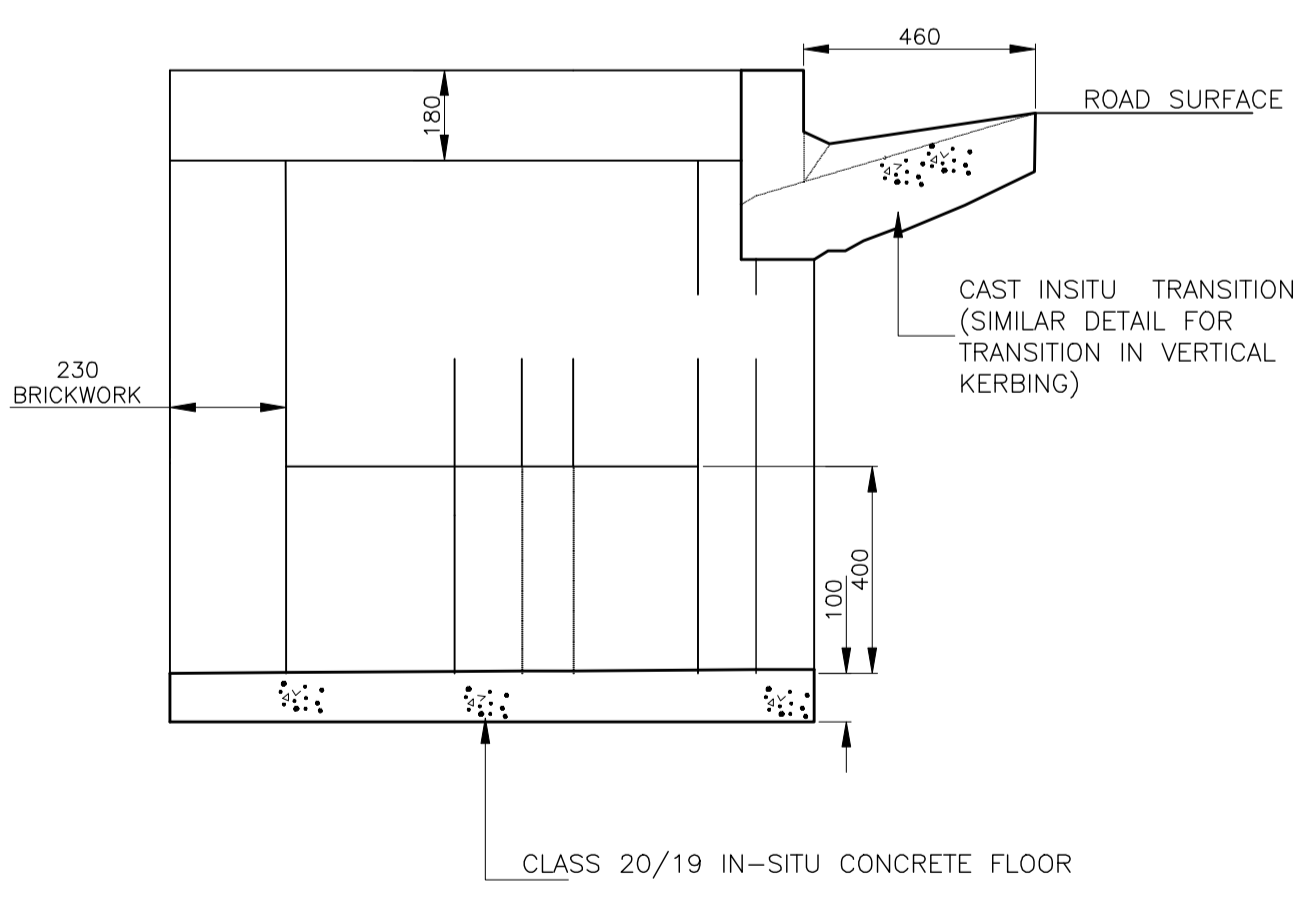


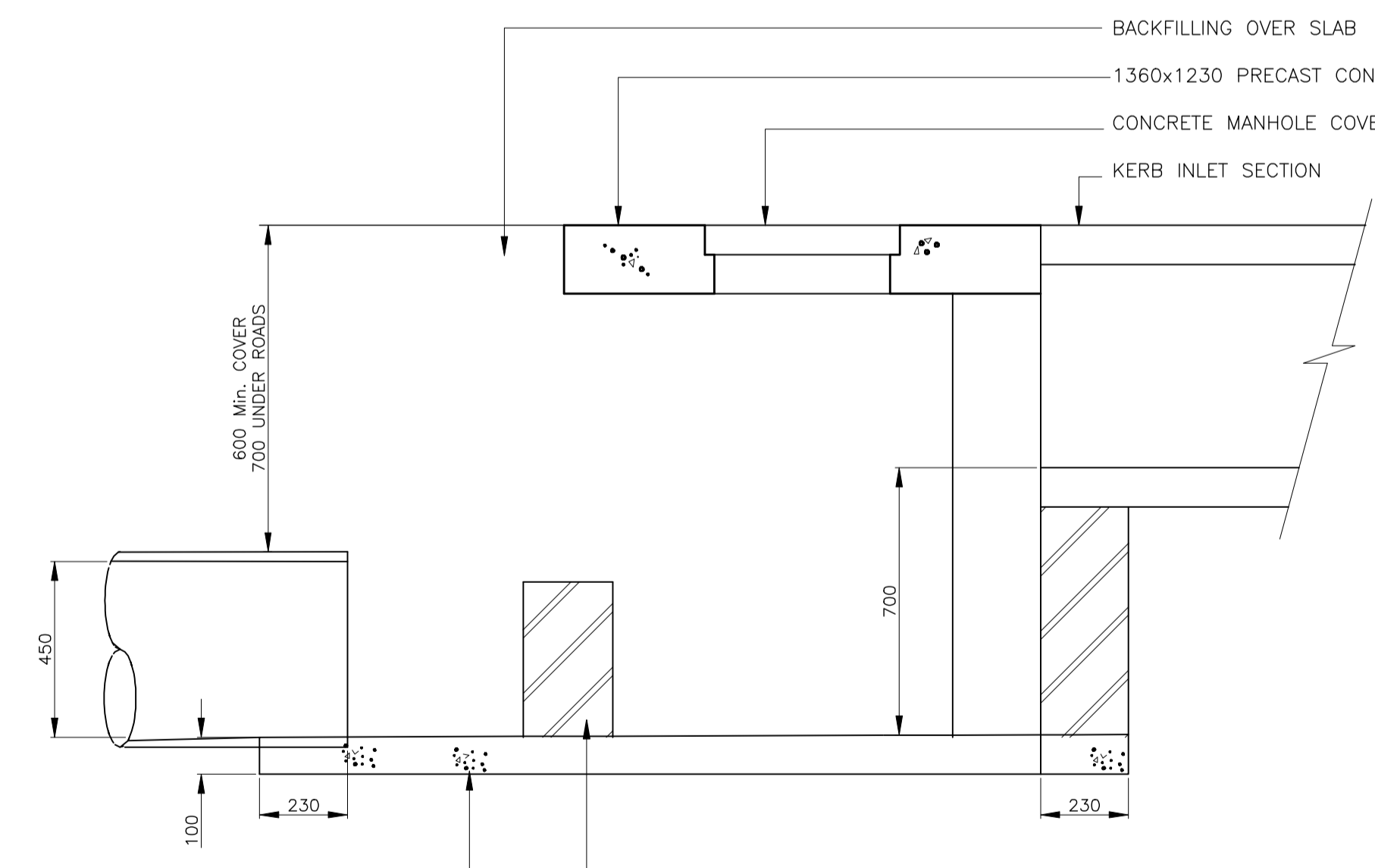
STORMWATER JUNCTION BOX - TYPE A
 (DOES NOT DISCHARGE DIRECTLY INTO MAIN STORMWATER DRAIN)
PLAN



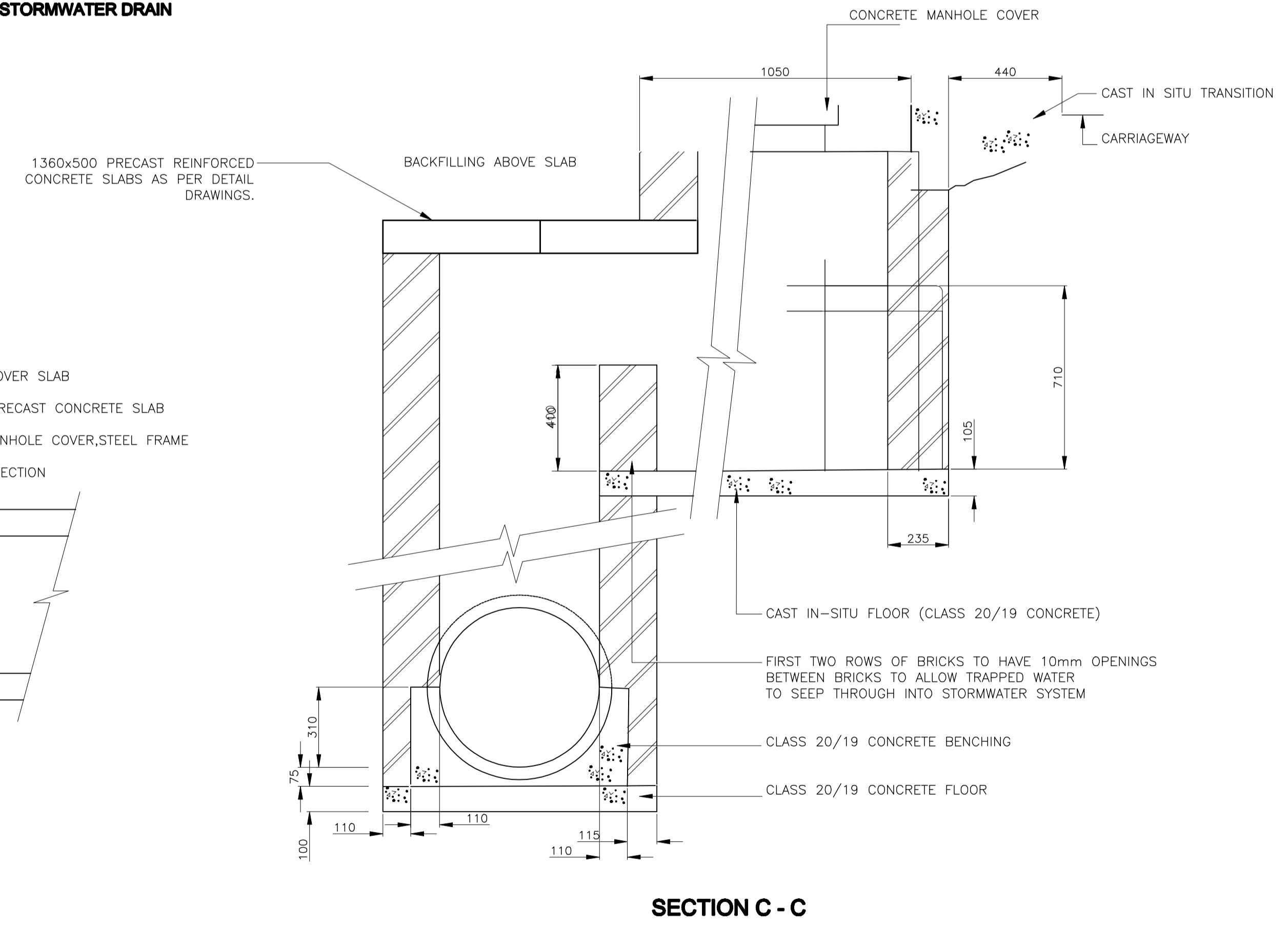
STORMWATER JUNCTION BOX - TYPE B
 DISCHARGES DIRECTLY INTO MAIN STORMWATER DRAIN
PLAN



SECTION B - B



SECTION A - A



SECTION C - C