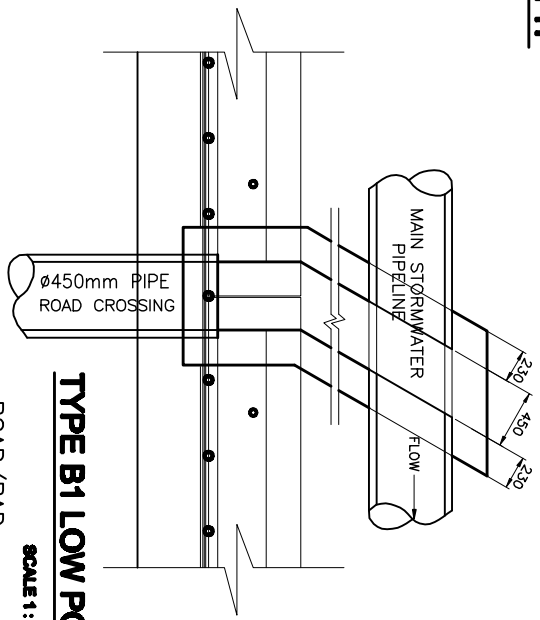


TYPE B1 CATCHPIT

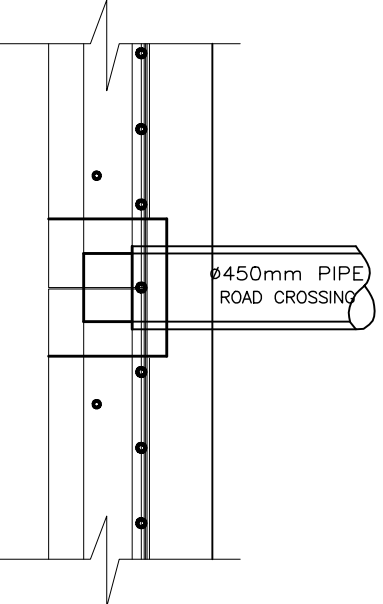
SCALE 1:25



TYPE B1 LOW POINT CATCHPIT

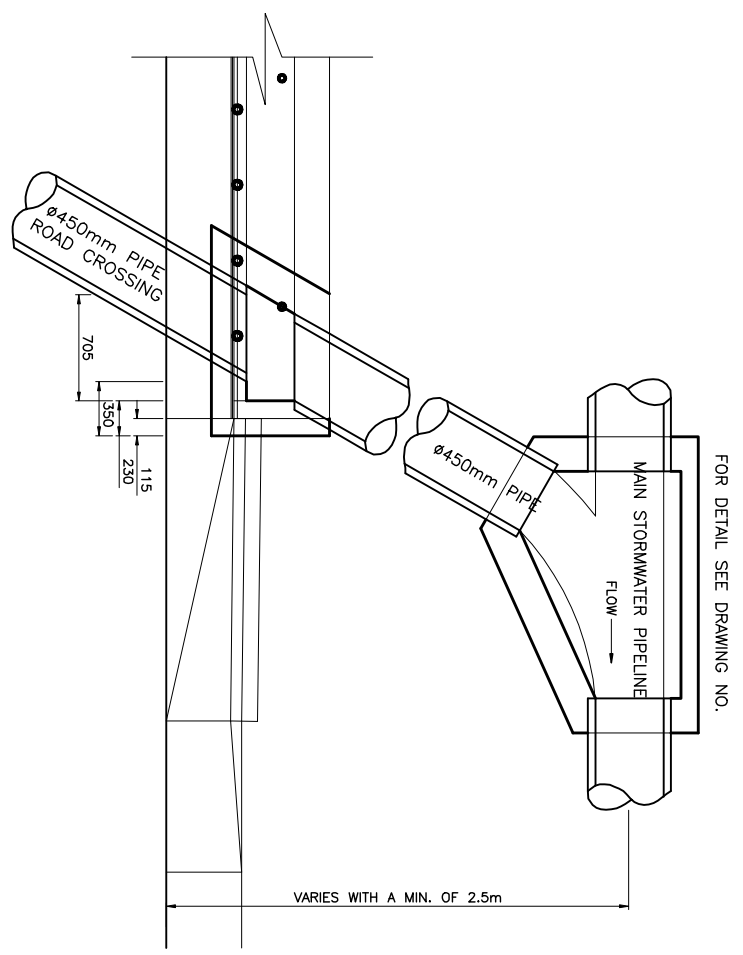
SCALE 1:25

ROAD/PAD



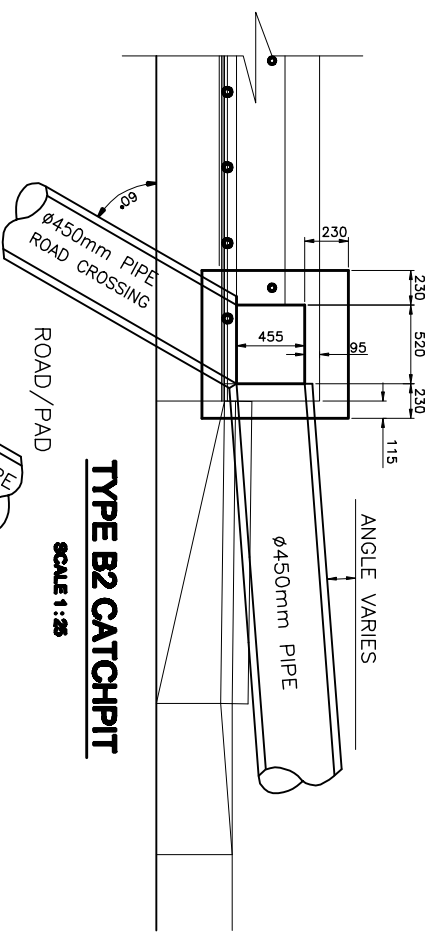
TYPE A1 LOW POINT CATCHPIT

SCALE 1:25



TYPE A2 CATCHPIT

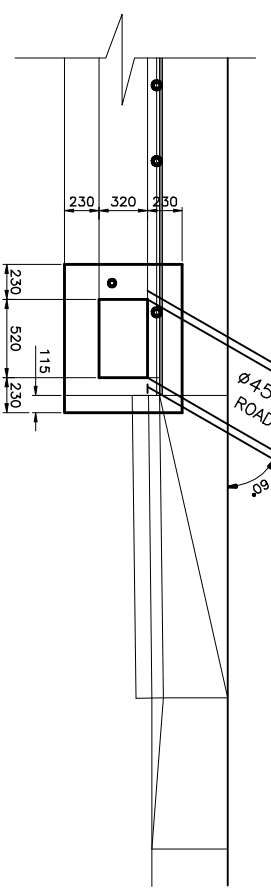
SCALE 1:25



TYPE B2 CATCHPIT

SCALE 1:25

ROAD/PAD



TYPE A1 CATCHPIT

SCALE 1:25

FOR DETAIL SEE DRAWING NO.